

OBSOLETE

Thermometers

Thermowells

Solid Machined, Screwed Connection

Form 6 per DIN 43 772 • Model SD600G

Form 9 per DIN 43 772 • Model SD900G

Application

The thermowells model SD600G and model SD900G are screw-fitted into the process. They are suitable for high process loads, that might occur as a result of flow, temperature and process pressure influences or vibrations.

Standard features

Thermowell material
Stainless steel 1.4571

Process connection
G ½ B, G ¾ B

Instrument connection
SD600G: female thread G ½, G ¾
SD900G: male thread G ½ B, G ¾ B

Bore size
Ø 7 mm, Ø 9 mm, Ø 11 mm

Insertion length U_i
SD600G: 82, 142, 182, 232 or 382 mm
SD900G: 73, 110, 170, 260 or 410 mm

Total length L
Insertion length + 28 mm

Maximum process temperature ¹⁾
600 °C

Maximum process pressure (static) ¹⁾
150 bar

Optional extras

- Other dimensions and materials
- Quality certificates
- Wake frequency calculations according to Dittrich / Klotter are recommended in critical applications. WIKA offer this as an engineering service.

Following process data are necessary for the calculation:

- Process pressure (in bar or psi)
- Process temperature (in °C or °F)
- Flow rate (in m/s)
- Density (in kg/m³)
- Dimensions and material of thermowell

1) Ratings depends on below parameters:
 - Process medium
 - Process pressure and temperature
 - Flow rate
 - Design of thermowell (dimensions, material)



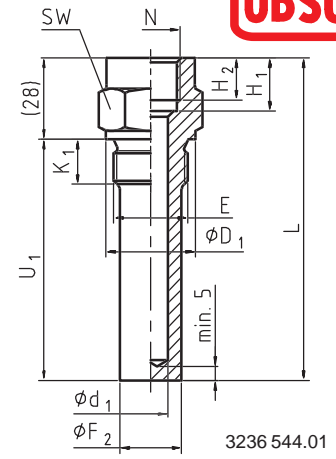
SD600G

SD900G

Dimensions

Model SD600G

Dimensions in mm									Weight in kg		
E	N	∅ d ₁	∅ D ₁	∅ F ₂	H ₁	H ₂	K ₁	SW	U ₁ = 82 mm	U ₁ = 382 mm	
G ½ B	G ½	7	26	17	19	15	14	27	0.220	0.670	
		9							0.210	0.590	
		11							0.190	0.500	
G ¾ B	G ¾	7	32	19	22	17	16	32	0.280	0.720	
		9							0.270	0.650	
		11							0.250	0.630	
	G ¾	7		17					19	0.310	0.820
		9								0.300	0.750
		11								0.290	0.740



3236 544.01

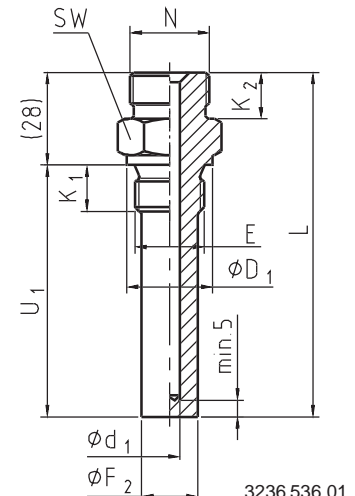
Legend:

- E Process connection
- N Instrument connection
- SW Across flats
- U₁ Insertion length
- ∅ d₁ Bore size
- ∅ D₁ Diameter of sealing face
- ∅ F₂ Thermowell outer diameter
- H₁ Bore depth for female thread
- H₂ Length of female thread
- K₁ Length of male thread
- K₂ Length for instrument connection
- L Total length

Dimensions

Model SD900G

Dimensions in mm								Weight in kg	
E	N	∅ d ₁	∅ D ₁	∅ F ₂	K ₁	K ₂	SW	U ₁ = 73 mm	U ₁ = 410 mm
G ½ B	G ½ B	7	26	17	14	12	27	0.220	0.720
		9						0.200	0.640
		11						0.180	0.530
G ¾ B	G ¾ B	7	32	19	16	14	32	0.310	0.790
		9						0.290	0.710
		11						0.290	0.780



3236 536.01

Suitable stem lengths of mechanical thermometers

Dial thermometers

Thermowell model	Design of connection	Stem length l ₁
SD600G	S/4/5	l ₁ = L - 10 mm or l ₁ = U ₁ + 18 mm
	2	l ₁ = L - 30 mm or l ₁ = U ₁ - 2 mm
SD900G	3	l ₁ = L - 12 mm or l ₁ = U ₁ + 16 mm

Machine glass thermometers

Thermowell model	Design of connection	Instrument connection	Stem length l ₁
SD600G	E	all	l ₁ = L - 10 mm or l ₁ = U ₁ + 18 mm
SD900G	3	G ½	l ₁ = L - 12 mm or l ₁ = U ₁ + 16 mm
		G ¾	l ₁ = L - 8 mm or l ₁ = U ₁ + 20 mm

Ordering information

State: Model / Material / Process connection / Instrument connection / Bore size / Insertion length U₁ / Optional extras required

Specifications and dimensions given in this leaflet are correct at the time of printing. Modifications may take place and materials specified may be replaced by others without prior notice.



WIKAI Alexander Wiegand GmbH & Co. KG
 Alexander-Wiegand-Straße · 63911 Klingenberg
 ☎ (0 93 72) 132-0 · ☎ (0 93 72) 132-406/414
 http://www.wika.de · E-mail: info@wika.de