

Threaded resistance thermometer For shipbuilding industry Model TR295

WIKA data sheet TE 69.21



Applications

- Machine building, plant and vessel construction
- For liquid media, i.e. water, oil
- For gaseous media, i.e. air, gas, vapour

Special features

- Robust
- Medium temperature up to 250 °C
- With angular connector
- Approval Lloyd's Register



Resistance thermometer model TR295

Description

Resistance thermometers of this series are designed for screw-fitting directly into the process, mainly in vessels and pipelines. They are suitable for liquids and gases up to 250 °C. At the same time process pressures up to 50 bar and flow rates up to 25 m/s are permissible.

Insertion length, process connection, thermowell design, connection head and sensor can each be selected to suit the respective application.

With the model TR295, instead of a connection head, the electrical connection is made via an angular connector.

Sensor

Sensor tolerance value per DIN EN 60751

- Class B
- Class A (not with 2-wire connection)

For detailed specifications for Pt100 sensors, see Technical Information IN 00.17 at www.wika.com.

Neck

Material

Stainless steel 1.4571

Neck length MH

35 mm

Process connection

Mode of connection

Threaded connection

Material

Stainless steel 1.4571

Thread

G ¼ B, G ½ B
others on request

Thermowell

Design

from solid body material

Material

Stainless steel 1.4571

Diameter

8, 9, 11 mm

Insertion length

100, 150, 200, 250, 300 mm

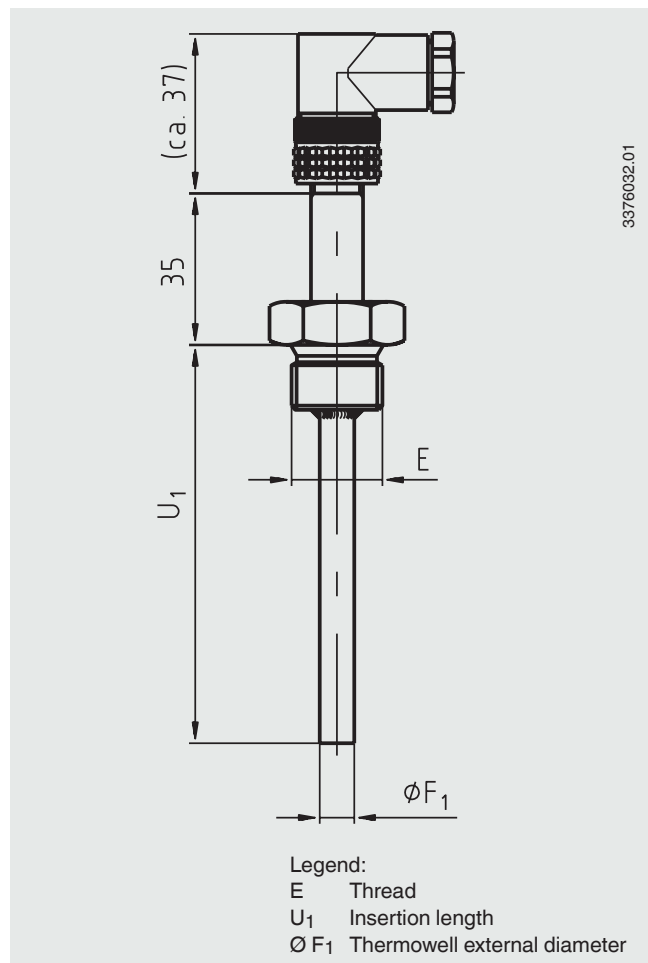
other versions on request

Connector

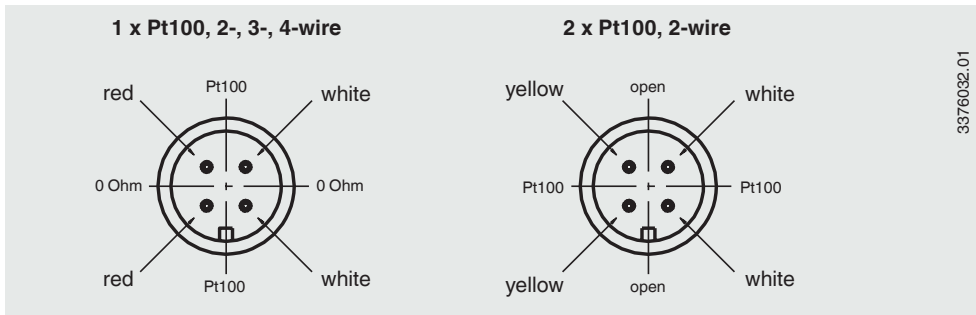
Design

ELWIK 4012

Dimensions in mm



Electrical connection



Ordering information

Model / Sensor type and number of sensors / Sensor connection method / Tolerance value / Process connection / Thermowell outer diameter F_1 / Neck length M_H / Insertion length U_1

© 2003 WIKA Alexander Wiegand SE & Co. KG, all rights reserved.
The specifications given in this document represent the state of engineering at the time of publishing.
We reserve the right to make modifications to the specifications and materials.