

Bourdon tube pressure gauge with switch contact

Plastic case

Model PGS10

WIKA data sheet PV 20.01

switchGAUGE

Applications

- Pressure gauge for indicating and monitoring the pressure in tanks and for signalling leaks
- General industrial applications

Special features

- High switching reliability and long service life
- Design per EN 837-1
- Pressure indication over 270 angular degrees
- Preset contact (adjustable between 10 and 90 % of the scale range)



Bourdon tube pressure gauge model PGS10

Description

Design

per EN 837-1

Nominal size in mm

40, 50

Accuracy class

2.5

Switch point tolerance

±4 % of full scale value factory-set

Scale ranges

0 ... 2.5 to 0 ... 400 bar

Pressure limitation

Steady: 3/4 x full scale value

Fluctuating: 2/3 x full scale value

Short time: Full scale value

Permissible temperature

Ambient: -20 ... +60 °C

Medium: +60 °C maximum

Temperature effect

When the temperature of the measuring system deviates from the reference temperature (+20 °C):

max. ±0.4 %/10 K of the span

Process connection

Cu-alloy, male thread lower mount or centre back mount

Pressure element

Cu-alloy

≤ 100 bar: C-type

> 100 bar: Helical type

Movement

Cu-alloy

Dial

Aluminium, white

Pointer

Plastic, black

Case
Plastic

Window
Polycarbonate

Ingress protection
IP 41 per EN 60529 / IEC 529

Helium leak test
Leak rate 10^{-5} mbar^l/s

Electrical data
Switching voltage: DC / AC 4.5 ... 24 V
Switching current: 5 ... 100 mA
Contact load: max. 2.4 W
Switch contact: Normally closed (NC) or normally open (NO)

Index	Designation	Symbol	Switching function / setting direction	Code
1	Normally open (NO)		Contact makes with rising pressure or clockwise pointer motion (standard)	1
			Contact breaks with falling pressure or anticlockwise pointer motion	5
2	Normally closed (NC)		Contact breaks with rising pressure or clockwise pointer motion (standard)	2
			Contact makes with falling pressure or anticlockwise pointer motion	4

Contact setting: To customer requirements (if not specified, to mean value of the scale range)
Contact adjustment: Adjustable between 10 and 90 % of the scale range
Potential-free

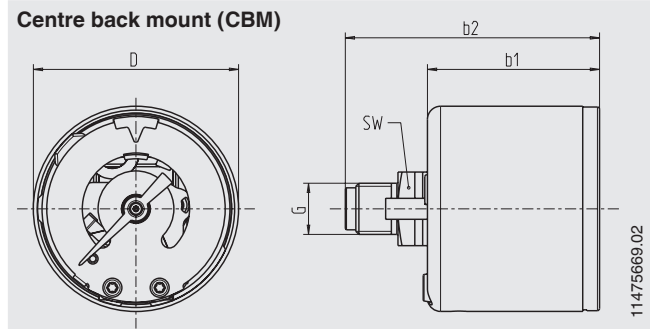
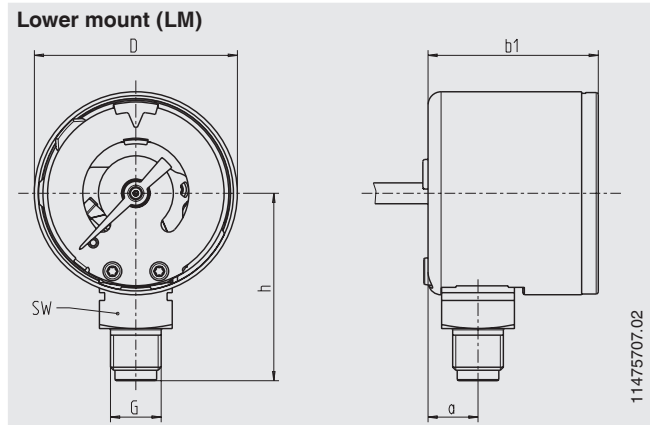
Electrical connection
Cable outlet, standard length 2 m

Options

- Other process connection
- Other scale ranges
- Other cable length

Dimensions in mm

Standard version



NS	Connection location	Dimensions in mm							Weight in kg
		D	a ±0.5	b ₁ ±0.5	b ₂ ±1	h ±1	G	SW	
40	lower mount (LM)	40	9.5	34	-	36	G 1/8 B	14	0.07
40	centre back mount (CBM)	40	-	32.7	48.3	-	G 1/8 B	14	0.07
50	lower mount (LM)	49	10	32	-	47	G 1/4 B	14	0.10
50	centre back mount (CBM)	49	-	34	54	-	G 1/4 B	14	0.10

Process connection per EN 837-1 / 7.3

Ordering information

Model / Nominal size / Scale range / Connection size / Connection location / Switch point and function / Options

© 2009 WIKA Alexander Wiegand SE & Co. KG, all rights reserved.
The specifications given in this document represent the state of engineering at the time of publishing.
We reserve the right to make modifications to the specifications and materials.



WIKAL Alexander Wiegand SE & Co. KG
Alexander-Wiegand-Straße 30
63911 Klingenberg/Germany
Tel. (+49) 9372/132-0
Fax (+49) 9372/132-406
E-mail info@wika.de
www.wika.de